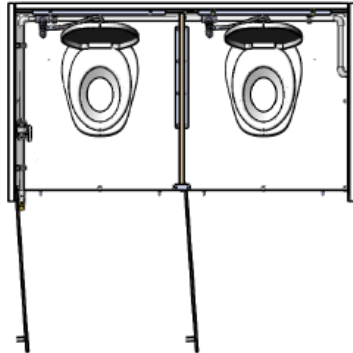
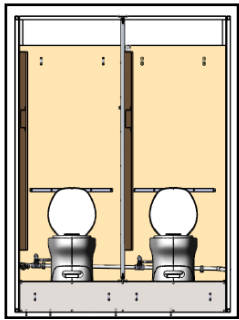


Dismounted Expeditionary Tactical Systems (D-ETS)

Designed for Rapid Deployment, System Modularity, & Reduced Footprint of Emergency & Security Sustainment Capabilities

Latrine (D-ELS)



Dual-Unit Front & Top Views

Latrine Interior

(TRICON Interior – same for dismount)

Expeditionary Tactical Systems from the Engineered Solutions unit of Outdoor Venture Corporation designs provide rapidly deployable support for field emergency, security and other immediate mission operations. Modular configuration allows scaling the units economically to field deployments of as low as 25 users, to 150 in a single, small MGPTS.

- | | |
|--|---|
| <ul style="list-style-type: none">• Proven in Force Provider overseas• 2 person, 45 minute set up• Minimal Operator Attention• -25°F to +120°F Operating Range• Configurable to Male or Female• Walls constructed of Phenolic Core technology for strength & sanitation | <ul style="list-style-type: none">• Dual-unit supports 50 personnel• Multiple Transport Options – 463L pallet-sized (D-ETS two stackable)• Total Integrated Weight < 500 LBS• Source and Waste Water Bladders• On Demand Hot Water (option)• One Year Warranty on Workmanship |
|--|---|



Engineered Solutions LLC

2740 South Highway 1651
Stearns, KY 42647-6209
606-376-5021 www.outdoorventure.com

Latrine Features

- Dismount version transported via 463L or equivalent pallet (mounted version housed in Expandable Type II, ISO TRICON)
- Dual (Two) Low Water Consumption Commodes
 - 0.46 Gallons/flush
- Free-Standing Urinals (OPTION – standard with TRICON)
- 0.4 hp 100 GPM Discharge Pump – handles two dual units
 - Optional -Reversible, 3-Phase Grinder Pump
- Free Standing Hand Sinks (OPTION – standard with TRICON)
- 3-Sink-Bowl Shave Stand (OPTION)
- On-board Hot Water Heater (OPTION – standard with TRICON)
- Water Storage – handles two Dual units
 - 3,000 Gallon Source Water Bag (OPTION Dual Only 1K bag)
 - 3,000 Gallon Waste Water Bag (OPTION Dual Only 1K bag)
- Back Flow Preventer Eliminates Water Cross Contamination
- 1 HP Shallow Well Supply Pump – handles two Dual units
- Electric Service (Military Standard Connectors) – 5kW minimum



Mobility Assured Packout



Engineered Solutions LLC

2740 South Highway 1651
Stearns, KY 42647-6209
606-376-5021 www.outdoorventure.com